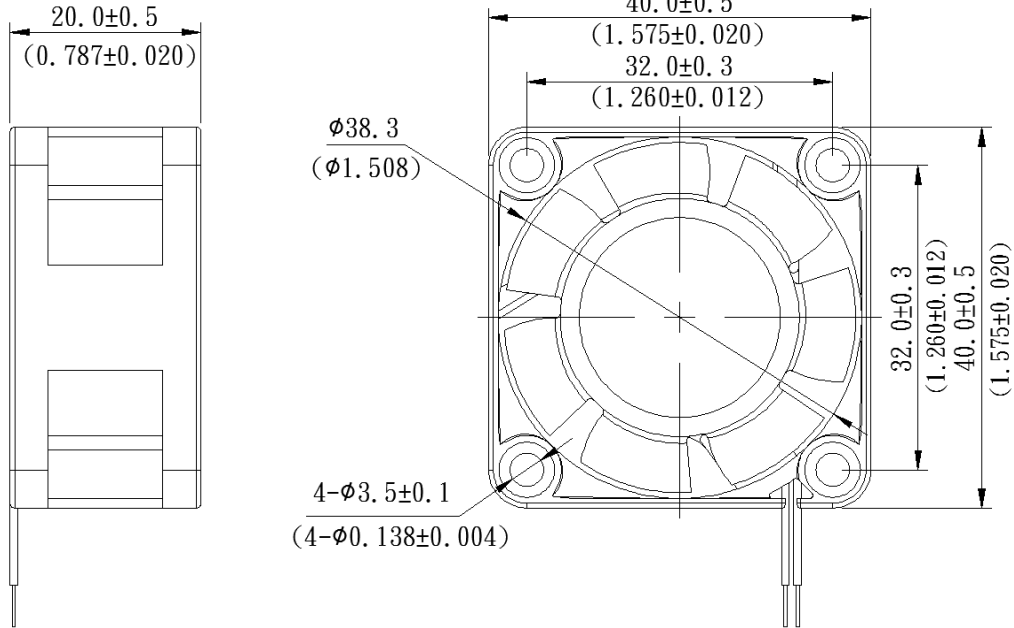




GLOBEFAN TECHNOLOGY CO., LTD.

No. 28, 3 Lane Zhongxinjin Road, Jin Industry District Shoei Koou Village,
 Da Laang Town, Dungguan City, Guangdong Province, China
 Tel : +86 769 83182898~9 Fax : +86 769 83182897

◆ DIMENSIONS DRAWING



* BEARING TYPE

- Ball bearing
- Sleeve bearing

* Electrical Function

- Frequency Generator Output Signal
- RD (Lock Detection) Output Signal
-

* Material

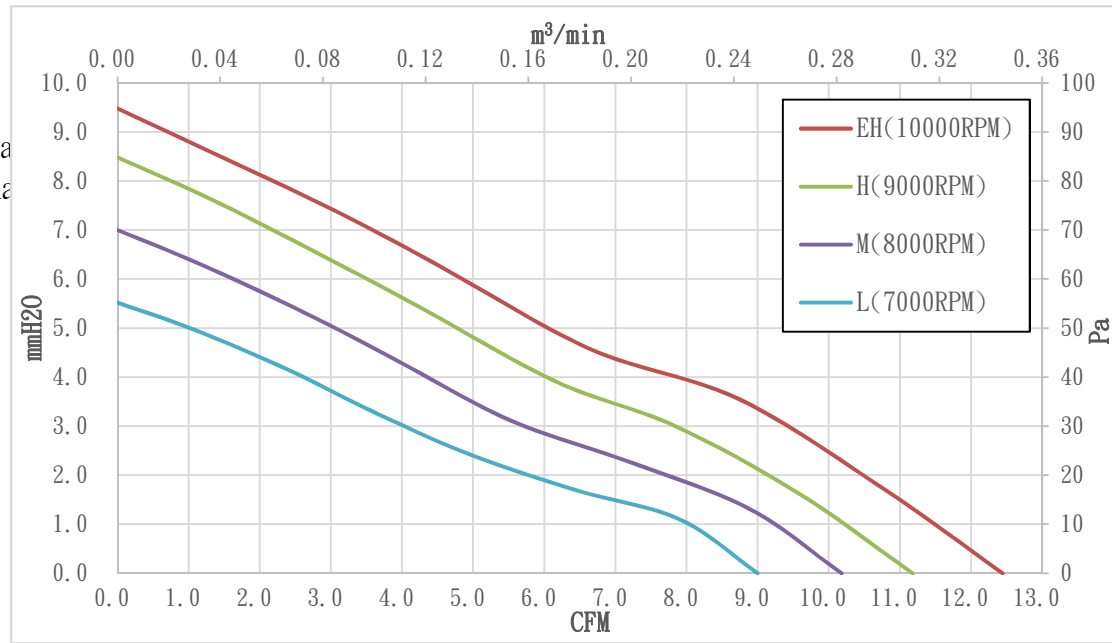
Impeller: Plastic (PBT 30%GF)
 Frame : Plastic (PBT 30%GF)

* Lead wires

UL1007 26AWG or Equivalent
 Black Wire Negative (-)
 Red or Yellow Wire Positive (+)
 White Wire Signal (FG)

* Weight :31.8g (1.12 oz)

◆ 40x40x20mm DC Axial Fan P/Q Curves (At rated speed) C Version



MODEL	Operating Voltage Range	Rated Voltage	Rated Current	Rated Input Power	Speed	Maximum Air Flow		Maximum Air Pressure		Noise
Part No.	VDC	VDC	Amp	Watts	R.P.M	m³/min	CFM	mmH₂O	Pa	dB(A)
B/S0402012EHC	3 ~13.8	12	0.45	5.4	10000±10%	0.35	12.44	9.48	92.97	44.6
B/S0402012HC	3 ~13.8	12	0.40	4.8	9000±10%	0.32	11.18	8.48	83.16	37.7
B/S0402012MC	3 ~13.8	12	0.40	4.8	8000±10%	0.29	10.18	7.00	68.65	36.9
B/S0402012LC	3 ~13.8	12	0.30	3.6	7000±10%	0.25	9.00	5.52	54.13	32.1

* Function type is optional.

* The max. air flow and speed are measured in free air; max. air pressure is measured at close to zero air flow.

* Noise is measured in anechoic chamber in free air, one meter from intake side.

* All readings are typical values at rated voltage.

* Specifications are subject to change without notice.